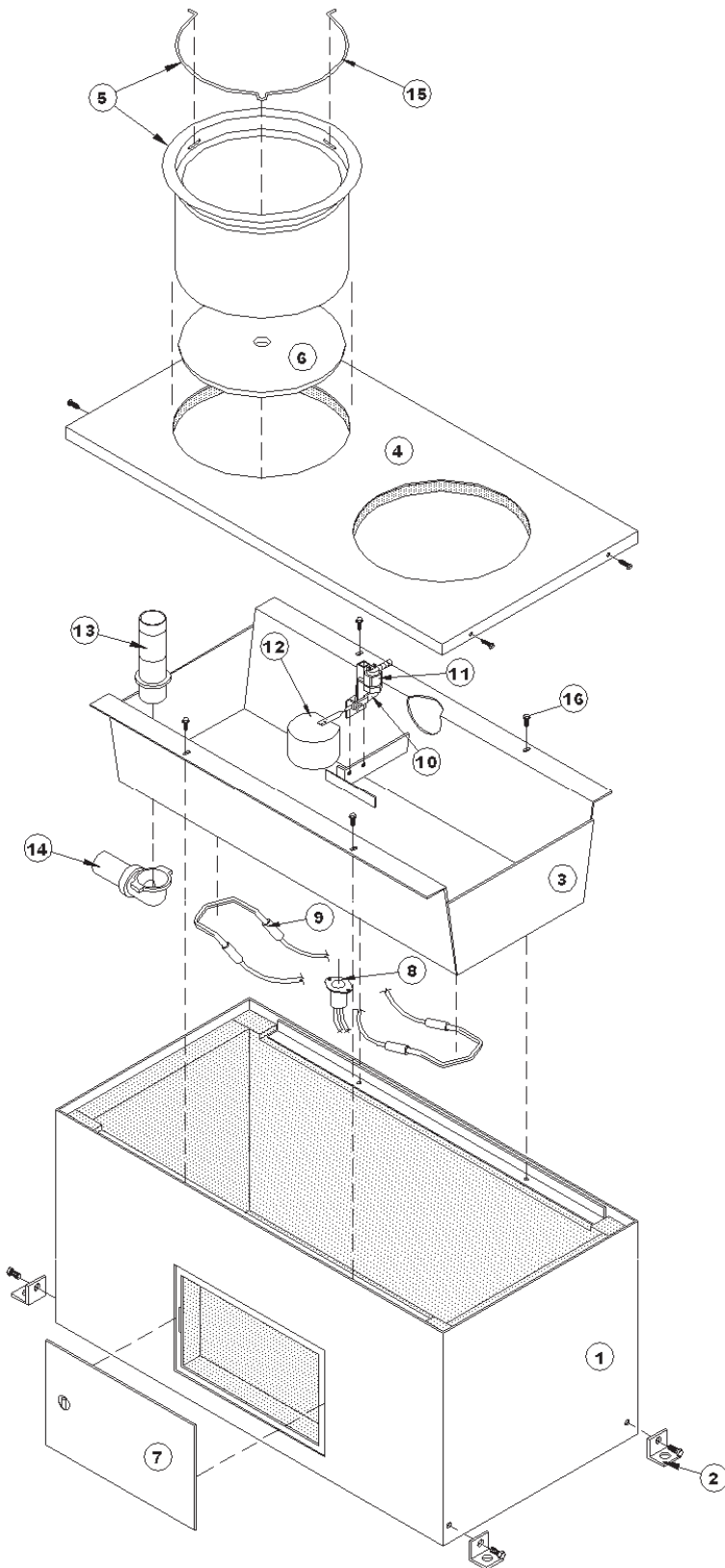


# Commander 2

Part # 16758



| Item | Part # | Description                      | Qty    |
|------|--------|----------------------------------|--------|
| 1    | 15696  | Casing Pkg. Commander 2          | 1      |
| 2    | 13775  | SS Hold Down Angles (4/Pkg.)     | 1 Pkg. |
| 3    | 16757  | Trough – Commander 2 SS          | 1      |
| 4    | 15584  | Cover – Commander 2              | 1      |
| 5    | 16362  | Plastic Drink Well W/RTN Ring    | 2      |
| 6    | 14412  | Thermal Cap                      | 2      |
| 7    | 15514  | Access Panel Com.                | 1      |
| 8    | 11885  | Disc Thermostat Pkg.             | 1 Pkg. |
| 9    | 14150  | 125W Element (120 Volt) (1/Pkg.) | 2 Pkg. |
| 10   | 12574  | ½" White Valve Pkg.              | 1 Pkg  |
| 11   | 11515  | ½" Valve Bracket Pkg.            | 1 Pkg. |
| 12   | 12836  | Float W/Long Arm Pkg.            | 1 Pkg. |
| 13   | 14647  | Drain Plug & Overflow            | 1      |
| 14   | 16172  | Drain W/Elbow                    | 1      |
| 15   | 14201  | Retaining Ring                   | 2      |
| 16   | 15532  | Screw – Trough (6/Pkg.)          | 1 Pkg. |
| NS   | 13830  | 48W Cable Heater (120V) (1/Pkg.) | 1 Pkg. |
| NS   | 15536  | Hose 3/8" x 24" W/Clamps & Adpt. | 1 Pkg. |
| NS   | 15154  | Screw – Valve Bracket (10/Pkg.)  | 1 Pkg. |
| NS   | 15818  | Screw – Cover (4/Pkg.)           | 1 Pkg. |
| NS   | 15657  | Casing Insulation Pkg. – Com. 2  | 1 Pkg. |
| NS   | 15515  | Complete Accessory Pkg.          | 1 Pkg. |

For 240 Volt Commander 2 #16820, See Parts Below

|    |       |                                  |        |
|----|-------|----------------------------------|--------|
| NS | 16424 | 48W Cable Heater (240V) (1/Pkg.) | 1 Pkg. |
| NS | 16664 | 200W Element (240V) (1/Pkg.)     | 1 Pkg. |

NS = Not Shown

*Italicized text = Not included or optional configuration add-ons*