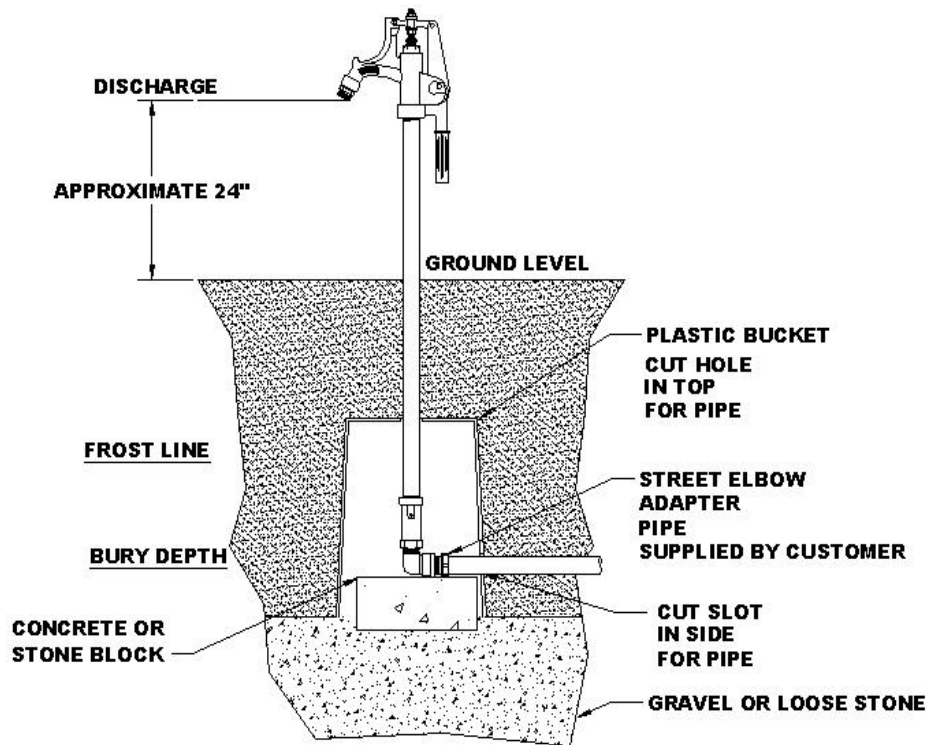


## Installation Instructions for

# Ritchie

## Water Hydrants

*Congratulations, you have just purchased the finest water hydrant on the market. This unit is built to give you excellent service when properly installed and maintained. Please follow instructions carefully. Read and understand all instructions before installing*

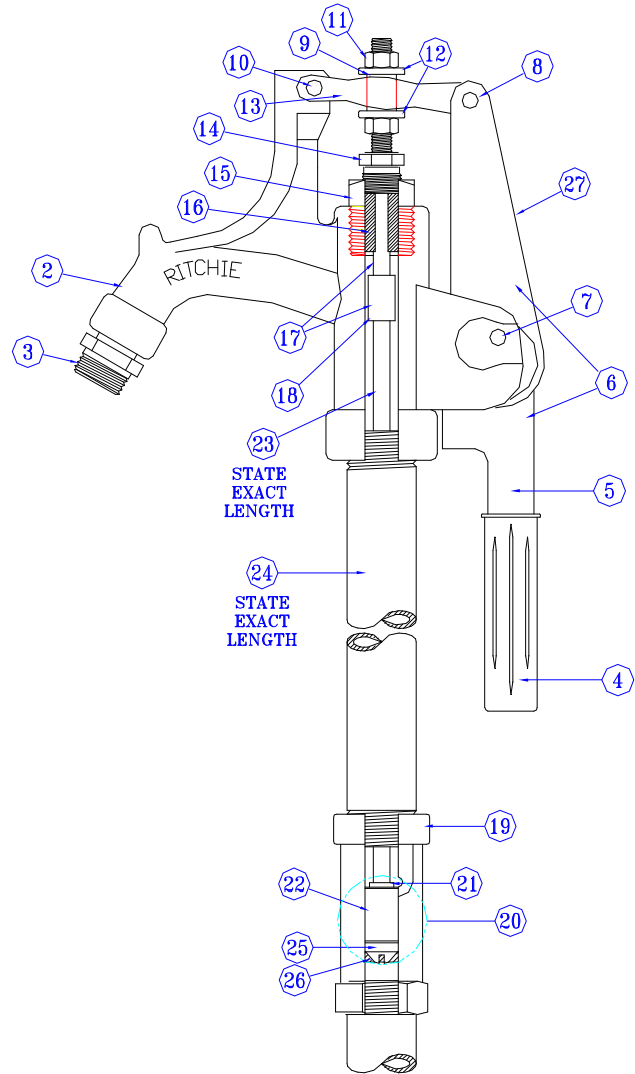


- A. Dig hole for hydrant approximately two feet in diameter and one foot deeper than the bury depth. **NOTE: Bury depth must be at least 1 foot below frost line.**
- B. **Flush piping before connecting the hydrant** to clear any gravel or other debris that may have collected in the piping during its installation and assembly. If not flushed out of the piping, this debris may jam the hydrant mechanism or clog the flow parts.
- C. Make the pipe connection but **do not bury the hydrant yet**. Operate the hydrant to be sure it is operating properly and the piping connections are not leaking. Open and close the hydrant and check for flow and drainage.
- D. Fill the hole around and below the hydrant with medium size gravel. This will provide a drain field for the hydrant. **Without a drain field, the hydrant will not empty itself, and it will freeze.** In cold weather, this will cause damage to the hydrant and result in loss of water and possible flooding damage.
- E. You may wish to protect the drain area from debris by cutting an inverted plastic 5 gallon bucket and putting it around the hydrant pipe and water supply line. See illustration above.
- F. Confirm that hydrant is functioning properly and bury hydrant.

## Ritchie Water Hydrant

### See Part Number Table Below

Item	Part #	Description	Qty
N/A	12910	Complete Hydrant Head Assembly	1
2	12804	Hydrant Head w/ Spout & Packing	1
3	11932	Spout Adpt (3/4 GH X1/2 NPT) Brs	1
4	11487	Hydrant Handle	1
5	12809	Hydrant Handle w/ Grips	1
6	12805	Lifting Handle w/arms	1
7	15296	1-1/8" Pin w/ Lock Ring (5/Pkg.)	1 Pkg.
8	15286	5/8" Pin w/ Lock Ring (5/Pkg.)	1 Pkg.
9	11767	Rocker Arm Sleeve	1
10	15287	13/16" Pin w/ Lock Ring (5/Pkg.)	1 Pkg.
11	15280	3/8" Brass Hex Nut (5/Pkg.)	1 Pkg.
12	15281	3/8 Steel Flat Washer ZP (5/Pkg.)	1 Pkg.
13	12479	Rocker Arm	1
14	11766	Packing Nut	1
15	11520	Packing Gland Fitting	1
16	11428	Packing	1
17	12581	SS Ext. w/ Brass Coupler Assy	1
18	11765	Brass Coupler Only	1
19	12579	Bronze Valve Chamber	1
20	15170	Plunger Assembly	1
21	18068	Brass or SS Washer (6/Pkg.)	1 Pkg.
22	11438	Neoprene Plunger Sleeve Only	1
23	List A	Plunger Rod	1
24	List B	1" Galvanized Pipe Casing	1
25	15283	Leather Seat Washer (5/Pkg.)	1 Pkg.
26	11362	Screw-Brass-Plunger 3/8"-24 x 1/2"	1
27	18215	Hydrant Lift Arm – Pair	1
NS	15268	Lock Ring Only Steel ZP (5/Pkg.)	1 Pkg.



#### Hydrant Part Numbers

Part #	Description
12502	Hydrant 2' Bury
12503	Hydrant 3' Bury
12504	Hydrant 4' Bury
12505	Hydrant 5' Bury
12506	Hydrant 6' Bury
12508	Hydrant 8' Bury
12510	Hydrant 10' Bury

#### List A–Hydrant Rod Numbers

Part #	Description
12602	Hydrant Rod 2' Bury
12603	Hydrant Rod 3' Bury
12604	Hydrant Rod 4' Bury
12605	Hydrant Rod 5' Bury
12606	Hydrant Rod 6' Bury
12608	Hydrant Rod 8' Bury
12610	Hydrant Rod 10' Bury

#### List B–Hydrant Pipe Numbers

Part #	Description
12592	Hydrant Pipe 2' Bury
12593	Hydrant Pipe 3' Bury
12594	Hydrant Pipe 4' Bury
12595	Hydrant Pipe 5' Bury
12596	Hydrant Pipe 6' Bury
12597	Hydrant Pipe 8' Bury
12600	Hydrant Pipe 10' Bury

Ritchie Hydrants are warranted one year from the date of purchase against manufacturing defect, 100%. Defective part(s) will be repaired or replaced at the option of Ritchie Industries. All warranty claims must be processed through an Authorized Ritchie Dealer/ Distributor. **Proof of purchase is required.** The period of warranty begins at original date of purchase. **This warranty specifically excludes all labor and shipping charges.**