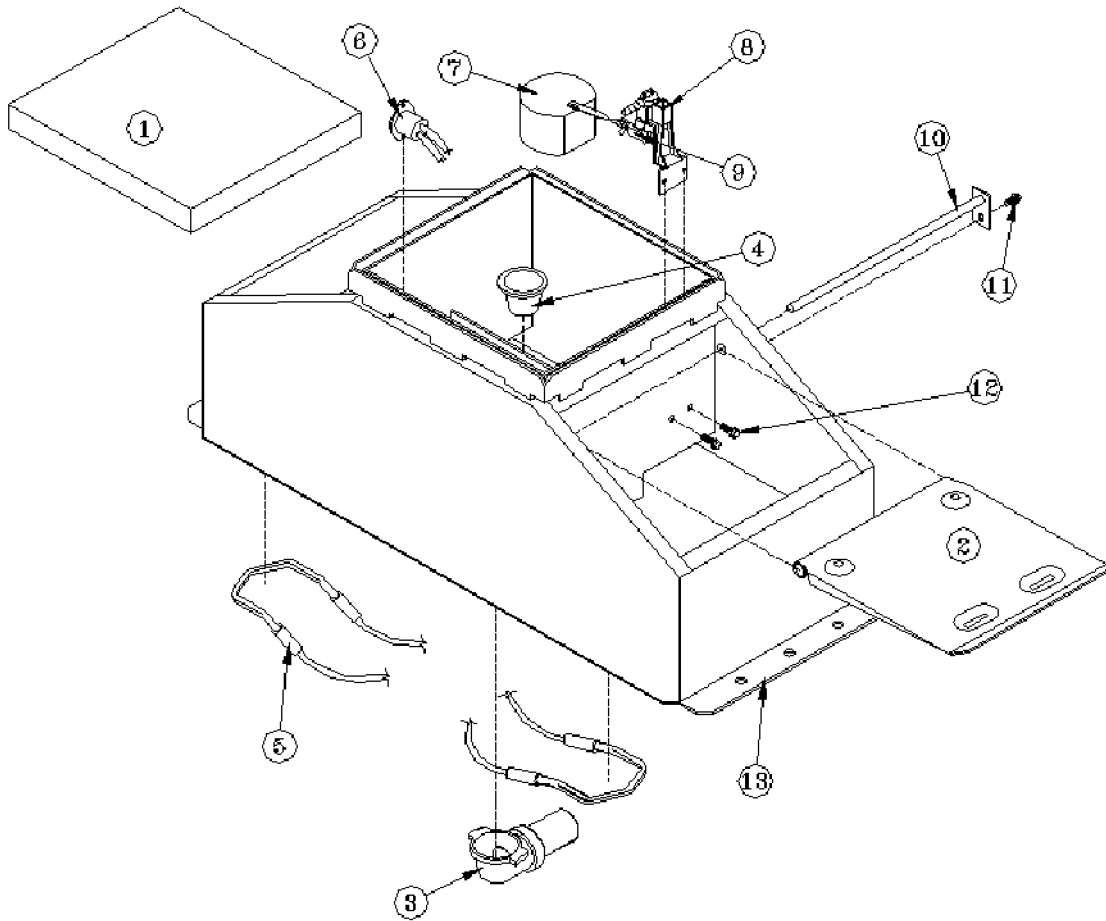


Pork King 2

Part # 16457



| Item | Part # | Description | Qty | Item | Part # | Description | Qty |
|------|--------|-----------------------------|--------|---|--------|---------------------------------|--------|
| 1 | 16449 | Cover – PK2 | 1 | 12 | 15154 | Screw – Valve Bracket (10/Pkg.) | 1 Pkg. |
| 2 | 16092 | Lifting Lid Only – PK | 2 | 13 | 16574 | Casing W/Insulation | 1 |
| 3 | 16172 | Drain W/Elbow | 1 | NS | 16364 | Insulation Pkg. | 1 Pkg. |
| 4 | 18628 | Drain Plug (2/Pkg.) | 1 Pkg. | NS | 13830 | 48W Cable heater (120 Volt) | 1 Pkg. |
| 5 | 14150 | 125 W Element (120 Volt) | 2 Pkg. | NS | 12584 | Supply Hose Assembly | 1 Pkg. |
| 6 | 11885 | Disc Thermostat – Red | 1 Pkg. | NS | 18075 | Drain Washers (6/Pkg.) | 1 Pkg. |
| 7 | 13613 | Float W/ Short Arm | 1 Pkg. | NS | 16128 | Complete Accessory Pkg. | 1 Pkg. |
| 8 | 11515 | ½" Valve Bracket Pkg. | 1 Pkg. | | | | |
| 9 | 12575 | ½" Red Valve Pkg. | 1 Pkg. | For 240 Volt Pork King 2 Part #16847, See Parts Below | | | |
| 10 | 16093 | Hinge Rod Only – PK2 | 2 | NS | 16664 | 200W Element (240 Volt) | 2 Pkg. |
| 11 | 15155 | Screw – Hinge Rod (10/Pkg.) | 1 Pkg. | NS | 16424 | 48W Cable Heater (240 Volt) | 1 Pkg. |

NS= Not Shown *Italicized text = Not included or optional configuration add-ons*