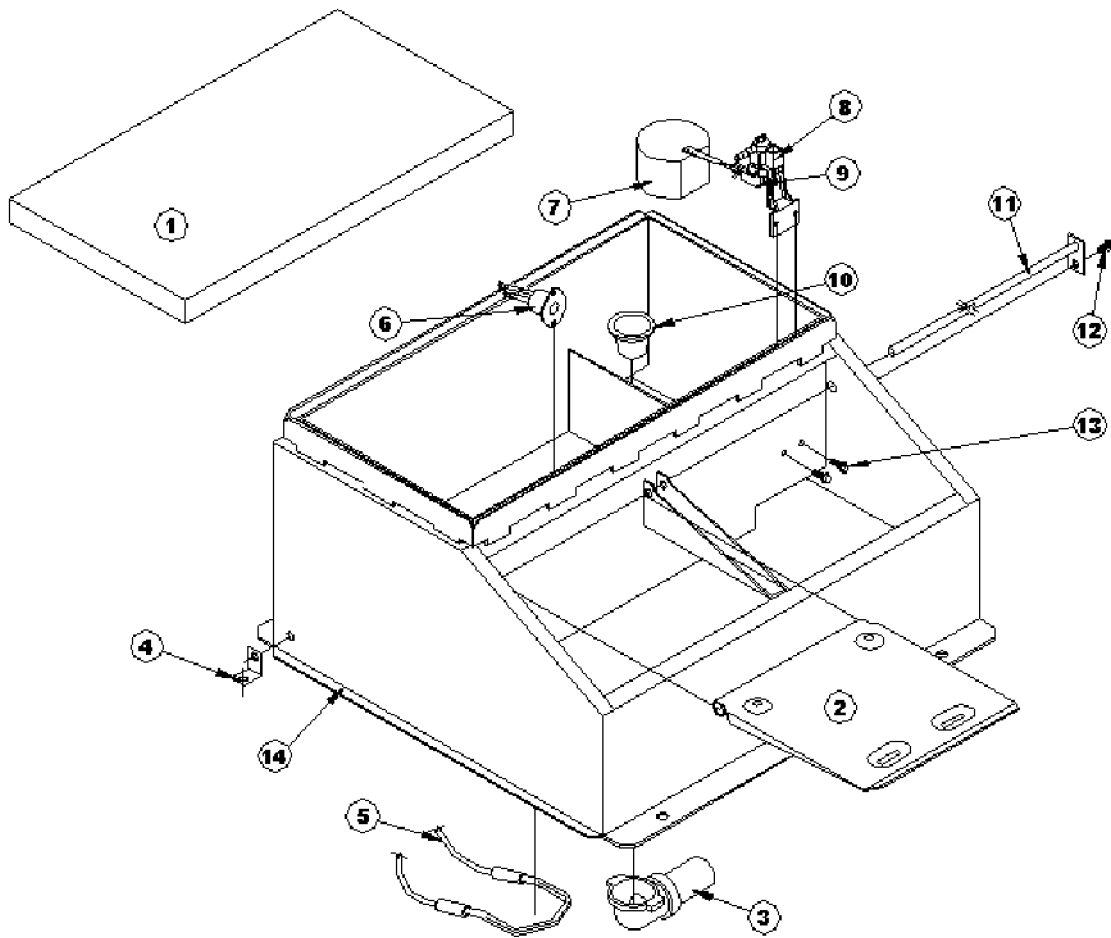


Pork King 2-1

Part # 16458



Item	Part #	Description	Qty	Item	Part #	Description	Qty
1	16451	Cover – PK 2-1	1	12	15155	Screw Hinge Rod (10/Pkg.)	1 Pkg.
2	16092	Lifting Lid Only – PK	2	13	15154	Screw – Valve Bracket (10/Pkg.)	1 Pkg.
3	16172	Drain W/Elbow	1	14	16575	Casing W/Insulation	1
4	13775	SS Hold Down W/Bolt (4/Pkg.)	1 Pkg.	NS	16365	Insulation Pkg.	1 Pkg.
5	14150	125 W Element (120 Volt)	2 Pkg.	NS	13830	48W Cable Heater (120 Volt)	1 Pkg.
6	11885	Disc Thermostat – Red	1 Pkg.	NS	12584	Supply Hose Assembly	1 Pkg.
7	13613	Float W/ Short Arm	1 Pkg.	NS	18075	Drain Washers (6/Pkg.)	1 Pkg.
8	11515	½” Valve Bracket Pkg.	1 Pkg.	NS	16123	Complete Accessory Pkg.	1 Pkg.
9	12575	½” Red Valve Pkg.	1 Pkg.	For 240 Volt Pork King 2-1 Part #16846, See Parts Below			
10	18628	Drain Plug (2/Pkg.)	1 Pkg.	NS	16664	200W Element (240 Volt)	2 Pkg.
11	16326	Hinge Rod Only PK 2-1	1	NS	16424	48W Cable Heater (240 Volt)	1 Pkg.