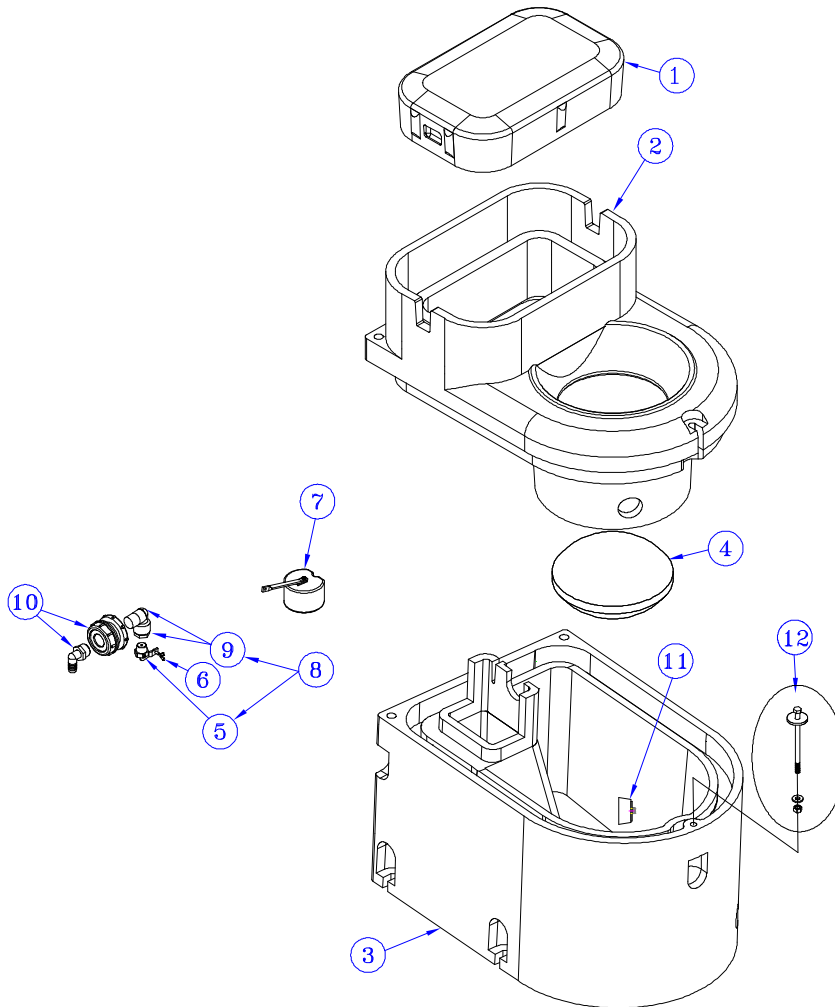


# Thrifty King CT1-2000

Part # 16271



Item	Part #	Description	Qty	Item	Part #	Description	Qty
1	16861	Valve Cover – TK CT1-2000	1	11	18219	Drain Plug #11 Pkg.	1 Pkg.
2	16860	Top CT1-2000 Foamed	1	12	16538	Screw/Nut/Washer 3/8" (2/Pkg.)	2 Pkg.
3	16859	Base Foamed TK CT1-2000	1	NS	16378	Foam Seal Gasket 12.5 ft Roll	1
4	18315	Elliptical Closure	1	NS	14859	Pipe Insulation – TK	1
5	12574	½" White Valve Pkg.	1 Pkg.	NS	12423	Hose 5/8" x 25 ft	1
6	12576	Wingnut/Screw Assembly	1 Pkg.	NS	11778	Adapter ¾ NPT x 5/8 HB	1
7	12836	Float with Long Arm Pkg.	1 Pkg.	NS	18318	Bolt Down Washer (4/Pkg.)	1 Pkg.
8	16899	Valve and Reducer Assembly	1 Pkg.	NS	16858	Complete Accessory Pkg.	1 Pkg.
9	16287	Valve Adapt ¾ to ½ NPT Pkg.	1 Pkg.	NS	16555	3/8 x 5 Anchor Bolt 2/Pkg. Not included	2Pkg.
10	16898	Bulkhead Fitting and Elbow	1	NS	16646	Ribbed Elliptical Closures (Optional)	1

NS = Not Shown

*Italicized text = Not included or optional configuration add-ons*