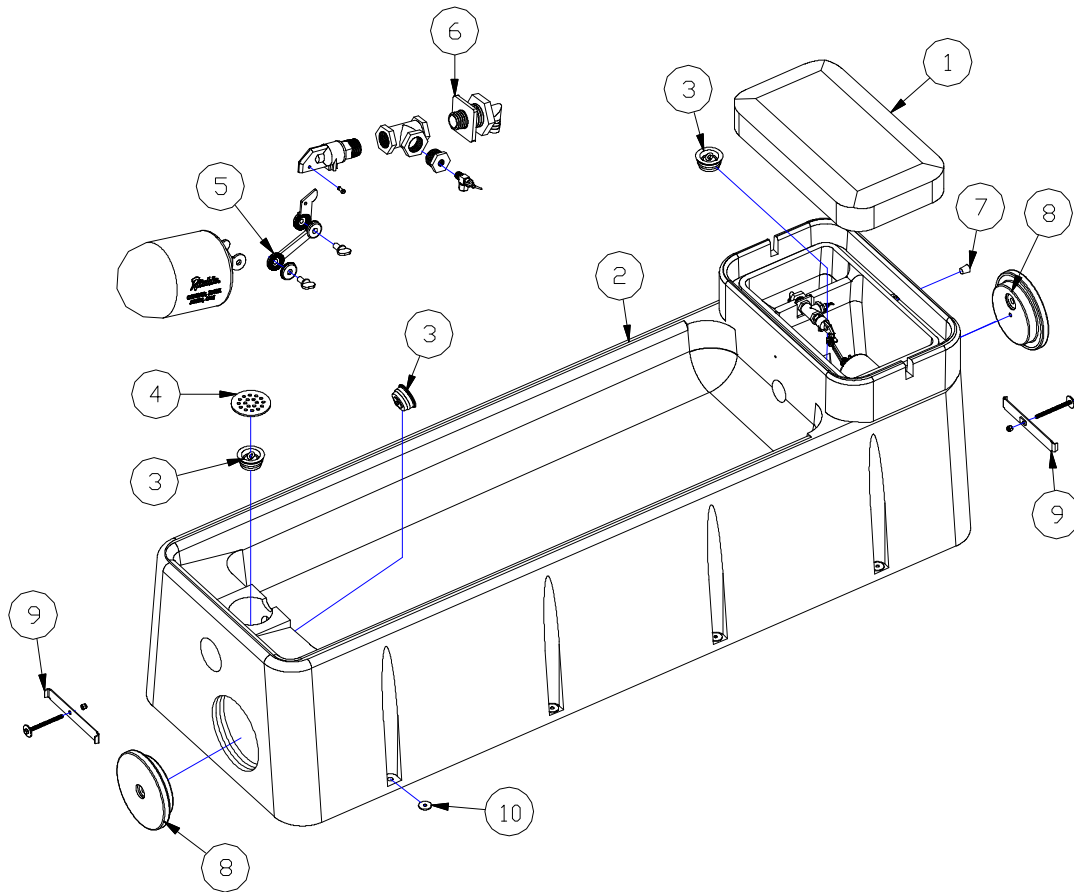


Ritchie WaterMaster 90

Part # 16467



Item	Part #	Description	Qty	Item	Part #	Description	Qty
1	16469	Valve Cover WaterMaster	1	9	18203	Rnd Access Cover Hardware Pkg.	2
2	16468	Foamed Base	1	10	17346	Washer 3/8 x 1-1/2 " ZP	10
3	16478	Drain Plug #13-1/2 Pkg.	3	NS	15891	Hose – 5/8" x 48"	1
4	17194	Strainer	1	NS	11778	3/4" x 5/8" Barb	1
5	18314	Float w/ Hardware Pkg.	1	NS	16471	Tube Water Trainer	1
	18313	Hardware for Float Pkg.	1	NS	17173	Adapter 3" NPT	1
6	16464	Valve Assembly WaterMaster Pkg.	1	NS	15931	Hose Clamp– 5/Pkg.	1
	11101	Cattle Valve Male 3/4 NPT Red	1	NS	11791	Cap Plug for Trainer Hole	1
	16508	Tee 3/4" Nylon	1	NS	16378	Rubber Foam Seal Gasket 12.5'	2
	16509	Reducer Bushing Pkg 3/4x1/8 Nylon	1	NS	16479	Complete Accessory Pkg.	1
	11793	Petcock Constant Flow Valve	1	<i>19</i>	<i>16551</i>	<i>Reducer Bushing - Opt. Non-Potable</i>	<i>1</i>
	16422	Bracket Cattle Valve w/Nut	1	<i>NS</i>	<i>17348</i>	<i>Ice Preventer Walters Valve - Optional</i>	<i>1</i>
7	17281	Drain Plug #3 – Channel Plug	1	<i>NS</i>	<i>16583</i>	<i>Ice Preventer Mtg. Pkg. - Optional</i>	<i>1</i>
8	16472	Round Access Cover	2				

NS = Not Shown

Italicized text = optional configuration add-ons