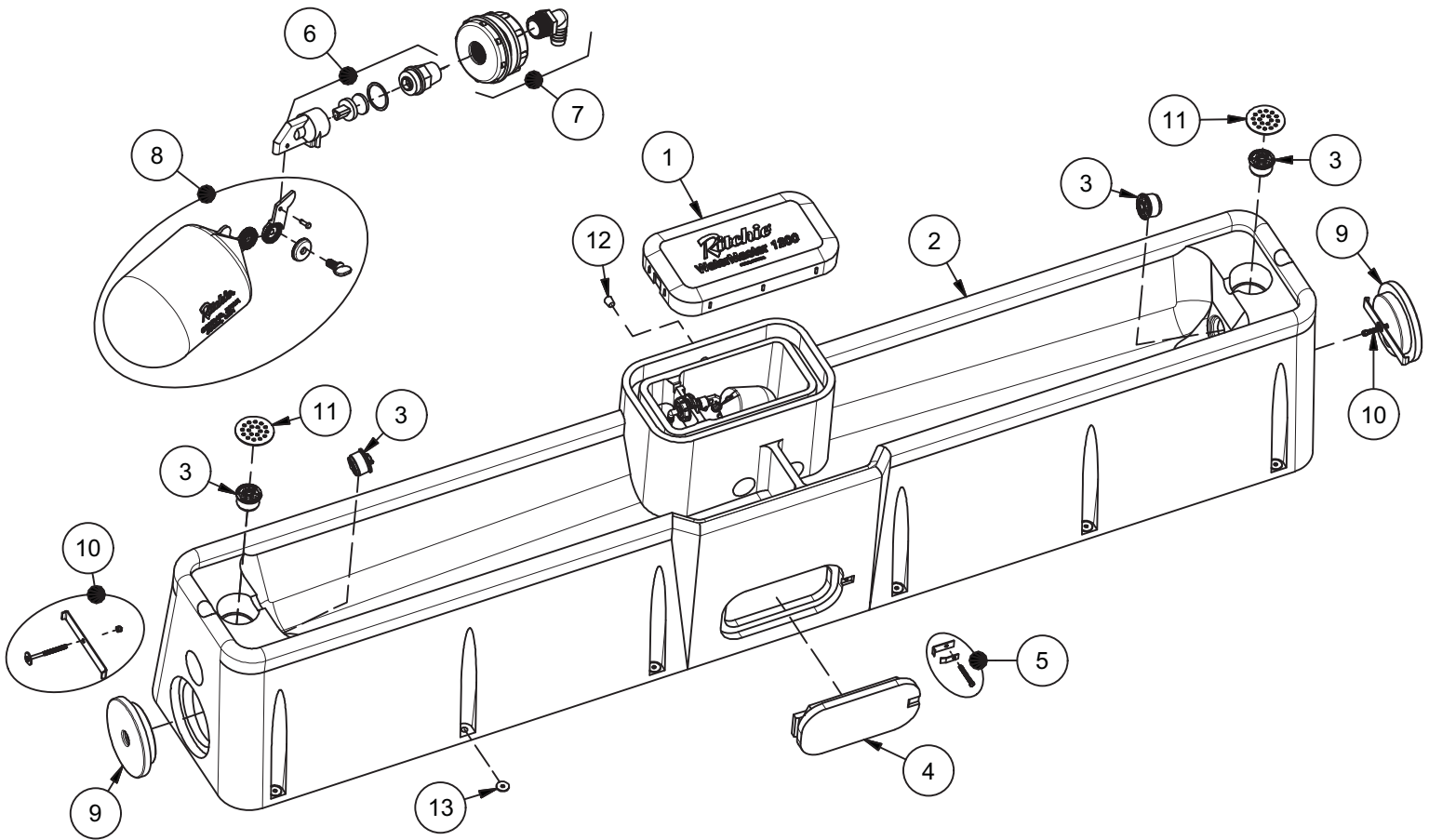


WaterMaster 1200

Part # 18053



Item	Part #	Description	Qty	Item	Part #	Description	Qty
1	18060	WaterMaster 1200 Cover	1	11	17194	Strainer	1
2	18061	WaterMaster 1200 Base	1	12	17281	Plug #3 - Channel Plug	1
3	18470	Drain Plug Ritchie 3"	4 pkg	13	18318	Bolt Down Washer (4/pkg)	3 pkg
4	16621	Access Panel 6"x14"	1	NS	14866	Seal Foam 10' Roll	3
5	18147	Access Panel Hardware pkg	1 pkg	NS	11791	Cap for Trainer Hole	1
6	11101	Red Valve 3/4" Male pkg	1 pkg	NS	17173	Adapter 3" PVC	1
7	16898	Bulkhead with Elbow	1	NS	15931	Hose Clamp 1" SS (5/pkg)	1 pkg
8	18314	Float with Hardware pkg	1 pkg	NS	11778	Adapter 3/4" x 5/8" HB	1
	18313	Hardware for Float pkg	1 pkg	NS	18140	WM 1200 Accessory pkg	1 pkg
9	16472	Access Panel Round	2	NS	18199	Constant Flow pkg - Optional	1 pkg
10	18203	Access Panel Rnd Hardware pkg	2 pkg				