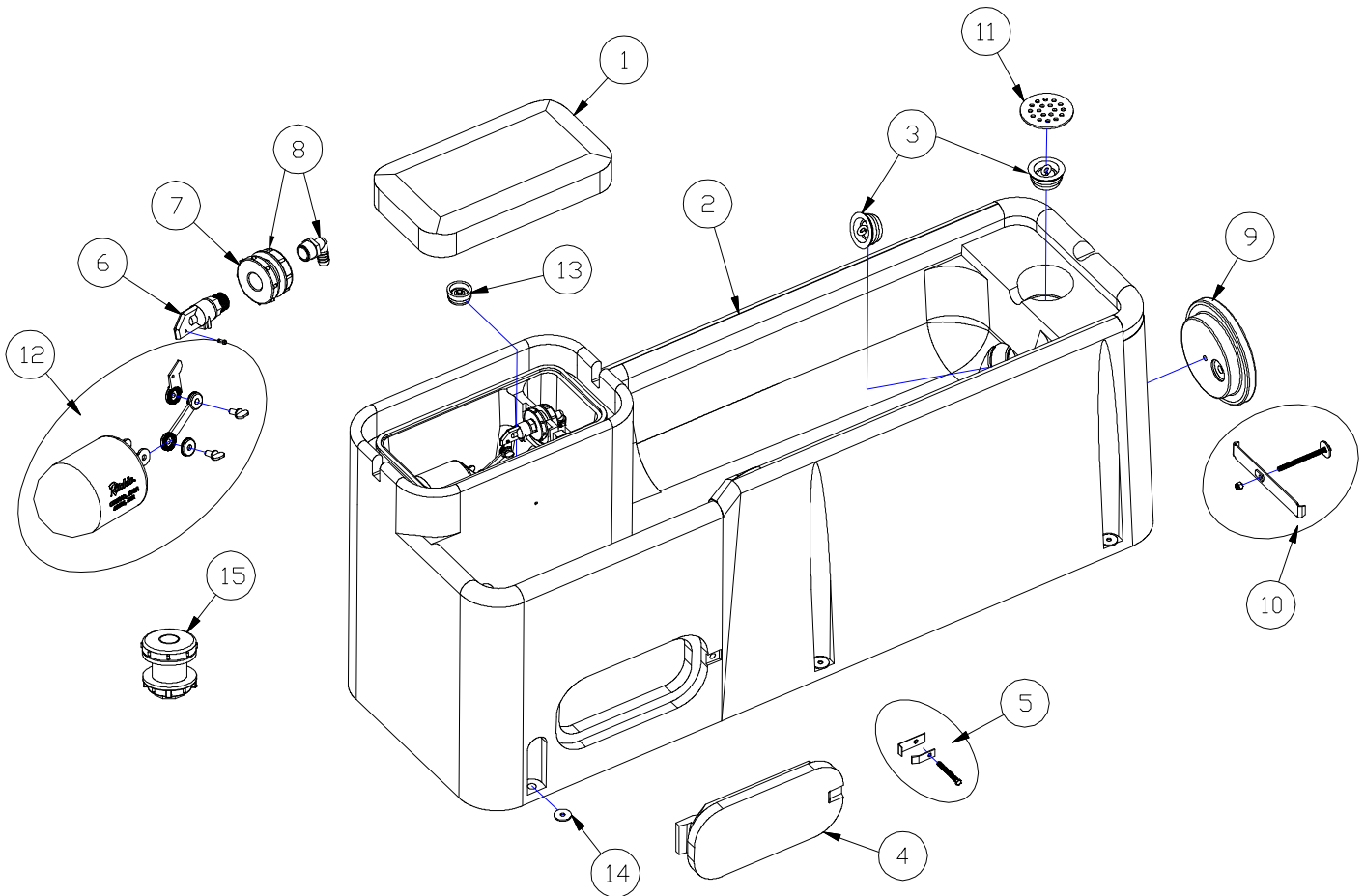


Ritchie WaterMaster 600

Part # 18171



Item	Part #	Description	Qty	Item	Part #	Description	Qty
1	18189	Valve Cover WaterMaster 600	1	13	17438	Plug #11	1
2	18191	Base WaterMaster 600	1	14	17346	Fender Washer 3/8" x 1-1/2"	7
3	16478	Drain Plug #13-1/2 Pkg.	2	NS	15891	Hose – 5/8" x 48"	1
4	16621	Access Panel	1	NS	11778	3/4 NPT x 5/8" Barb	1
5	18147	Access Panel Hardware Pkg.	1	NS	15931	Hose Clamp Pkg. – 5/Pkg.	1
6	11101	Cattle Valve Male 3/4" NPT Red	1	NS	16378	Seal Foam 12.5 foot	2
7	16673	Bulkhead Fitting 3/4" NPT	1	NS	17173	Adapter 3" PVC	1
8	16898	Bulkhead Fitting and Elbow	1	NS	11791	Cap Plug for Trainer Hole	1
9	16472	Round Access Cover	1	NS	18192	Complete Accessory Pkg.	1
10	18203	Rnd Access Cover Hardware Pkg.	1	15	17183	<i>Reducer Bushing - Opt. Non-Potable</i>	1
11	17194	Strainer	1	NS	16733	<i>Constant Flow Pkg. - Optional</i>	1
12	18314	Float w/ Hardware Pkg.	1	NS	17348	<i>Ice Preventer Walters Valve - Optional</i>	1
	18313	Hardware for Float Pkg.		NS	18193	<i>Ice Preventer Mtg. Pkg. - Optional</i>	1

NS = Not Shown

Italicized text = optional configuration add-ons