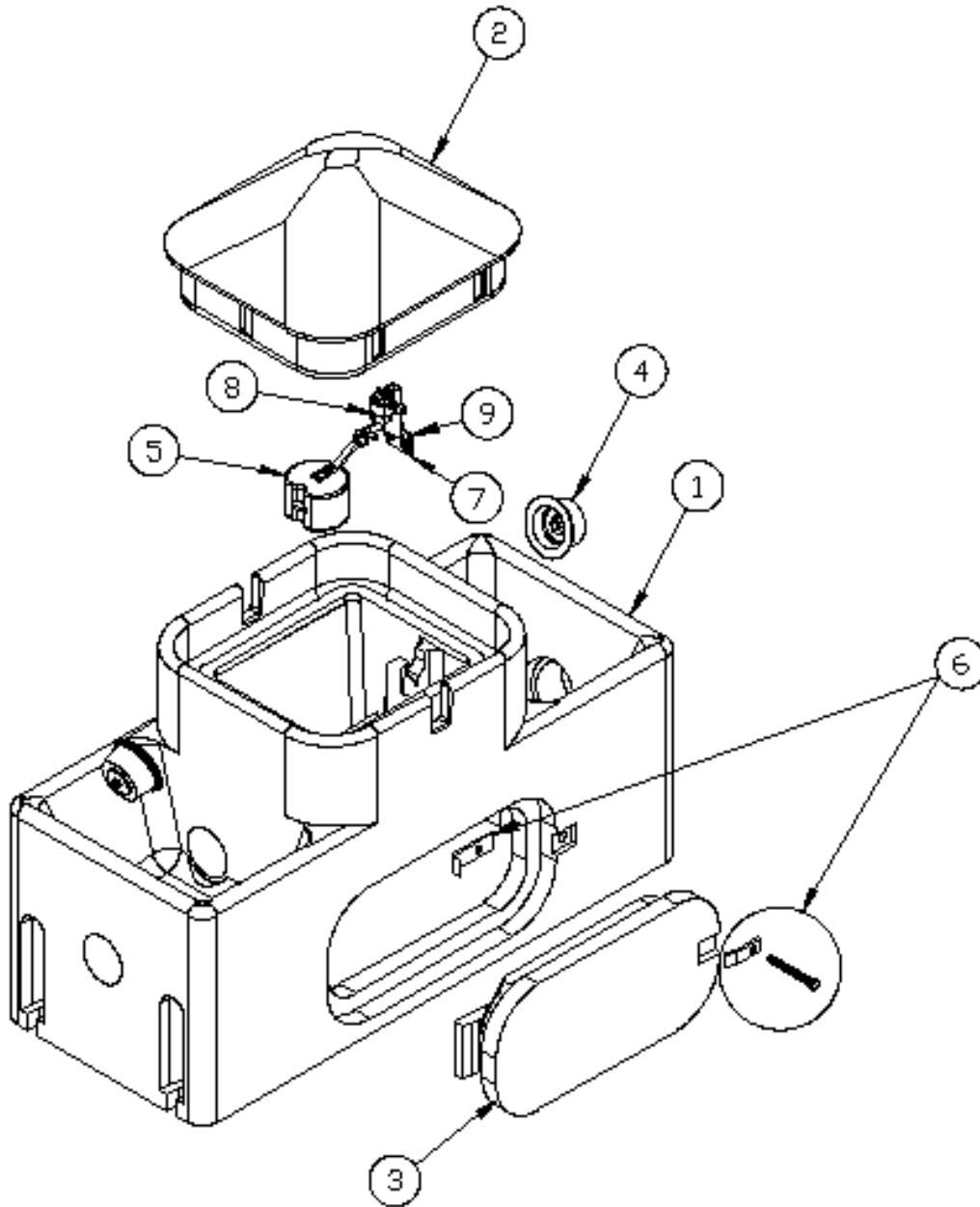


Ritchie WaterMatic Model 150-S

Part # 18222



Item	Part #	Description	Qty	Item	Part #	Description	Qty
1	18224	Base	1	8	12575	1/2" Valve Package Red	1
2	18223	Valve Cover	1	9	11515	Valve Bracket	1
3	16621	Access Panel	1	NS	15539	Supply Hose	1
4	16478	Drain Plug Package	2	NS	11777	Adapter 1/2 NPT X 3/8 Hose Barb	1
5	12836	Float - 3 1/4" with Long Arm	1	NS	15248	Hose Clamp 5/Pkg.	1
6	18147	Access Panel Hardware Pkg.	1	NS	17346	3/8" Fender Washer	6
7	18066	Screw Valve Mounting 6/Pkg.	1	NS	18187	Complete Accessory Pkg.	1

NS = Not Shown *Italicized text = optional configuration add-ons*