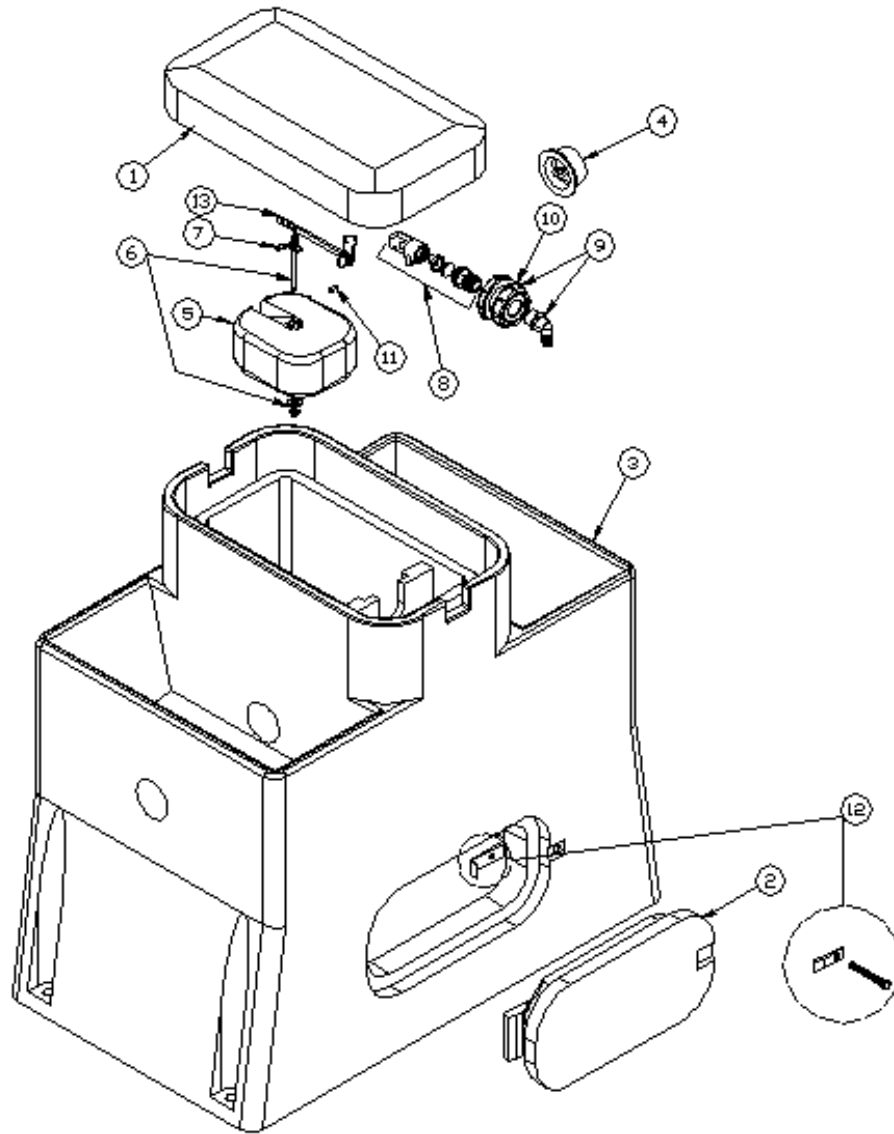


# Ritchie WaterMatic Model 300

Part # 18050



Item	Part #	Description	Qty	Item	Part #	Description	Qty
1	18048	Valve Cover 300	1	10	17461	Bulkhead Fitting	1
2	16621	Access Panel	1	11	11498	Valve Pin	1
3	18049	Base	1	12	18147	Access Panel Hardware Pkg.	1
4	16478	Drain Plug Pkg. 3"	2	13	12572	Cattle Float Arm Assembly	1
5	11844	Float	1	NS	17346	3/8" Fender Washer	6
6	15256	Float Stem with Nut Pkg.	1	NS	11778	Adapter 5/8 HB x 3/4 NPT (Supply Hose)	1
7	11500	Float Pin	1	NS	15891	Supply Hose	1
8	15377	Cattle Valve Male 3/4" NPT Green	1	NS	18096	Complete Accessory Pkg.	1
9	16898	Bulkhead Fitting and Elbow	1				

NS = Not Shown

*Italicized text = optional configuration add-ons*