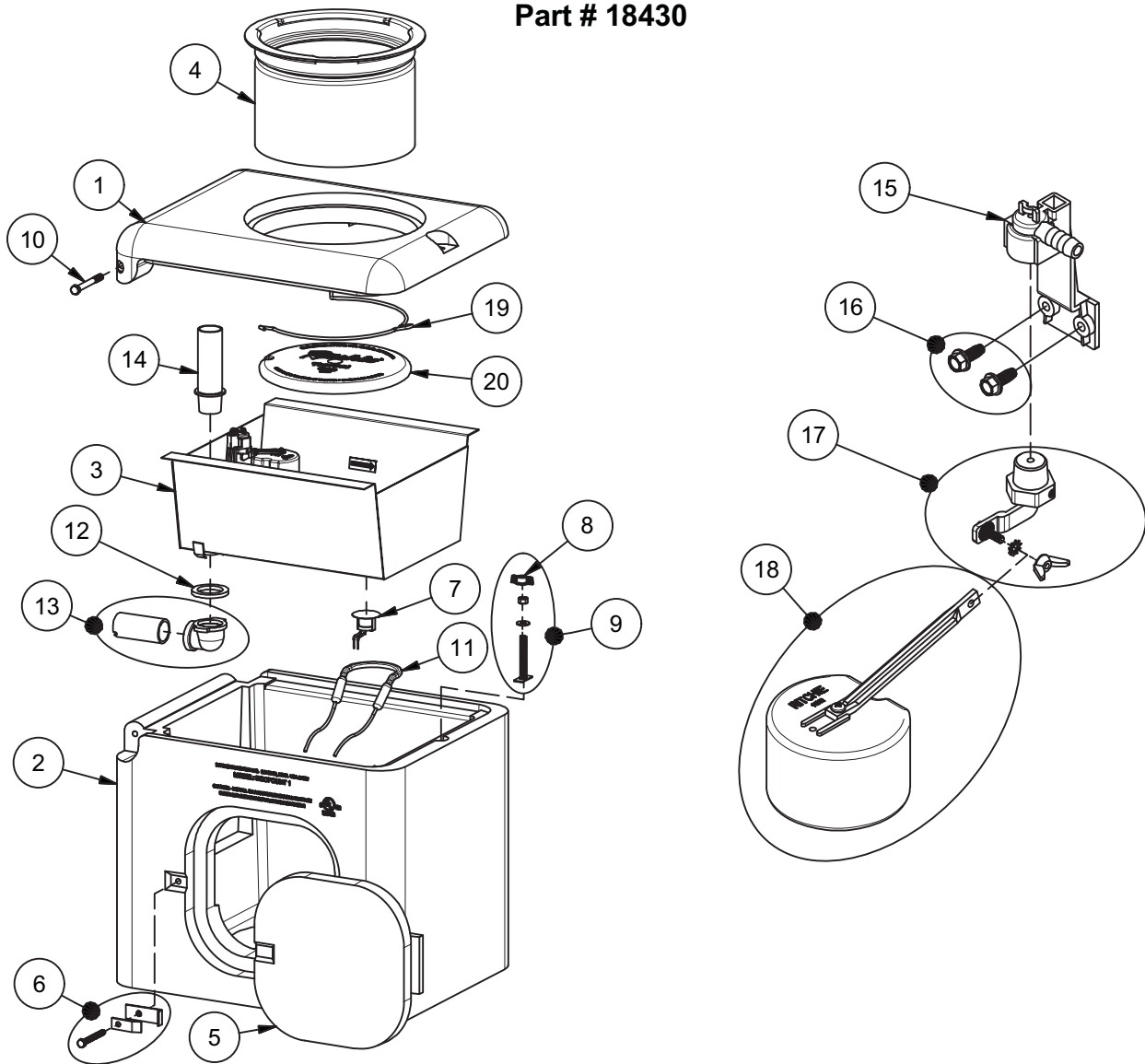


# EcoFount 1

Part # 18430



Item	Part #	Description	Qty	Item	Part #	Description	Qty
1	18434	EcoFount 1 Top	1	15	11515	Valve Bracket 1/2" w/ Scrws pkg	1 pkg
2	18436	EcoFount 1 Casing	1	16	15154	Screws Valve Bracket (10/ pkg)	1 pkg
3	18437	EcoFount 1 Trough	1 pkg	17	12575	Red Valve 1/2" pkg	1 pkg
4	18447	EcoFount Drinkwell W/ Ring pkg	1 pkg	18	12836	Float with Long Arm pkg	1 pkg
5	18370	Access Panel 10" x 10"	1	19	17963	Retaining Ring SS	1
6	18147	Access Panel Hardware pkg	1 pkg	20	14412	Thermal Cap	1
7	11885	Disc Thermostat pkg	1 pkg	NS	18318	Bolt Down Washer (4/pkg)	1 pkg
8	18451	Wing Nut 3/8" Nylon (4/pkg)	1 pkg	NS	13830	Cable Htr 120V 48W (1/pkg)	1 pkg
9	18448	T-Bolt w/ Wingnut 3/8" pkg	1 pkg	NS	18429	EcoFount 1 Accessory pkg	1 pkg
10	18452	Bolt 3/8"x3" SS (2/pkg)	1 pkg	NS	14866	Seal Foam 1/2"x3/4"x10' Roll	1
11	14150	Heater 120V 125W (1/pkg)	1 pkg				
12	18075	Drain Washer (6/pkg)	1 pkg		18431	EcoFount 1 240V	
13	16172	Drain Pipe with Elbow	1	NS	16664	Heater 240V 200W (1/pkg)	1 pkg
14	14647	Drain Plug Overflow	1	NS	16424	Cable Htr 240V 48W (1/pkg)	1 pkg